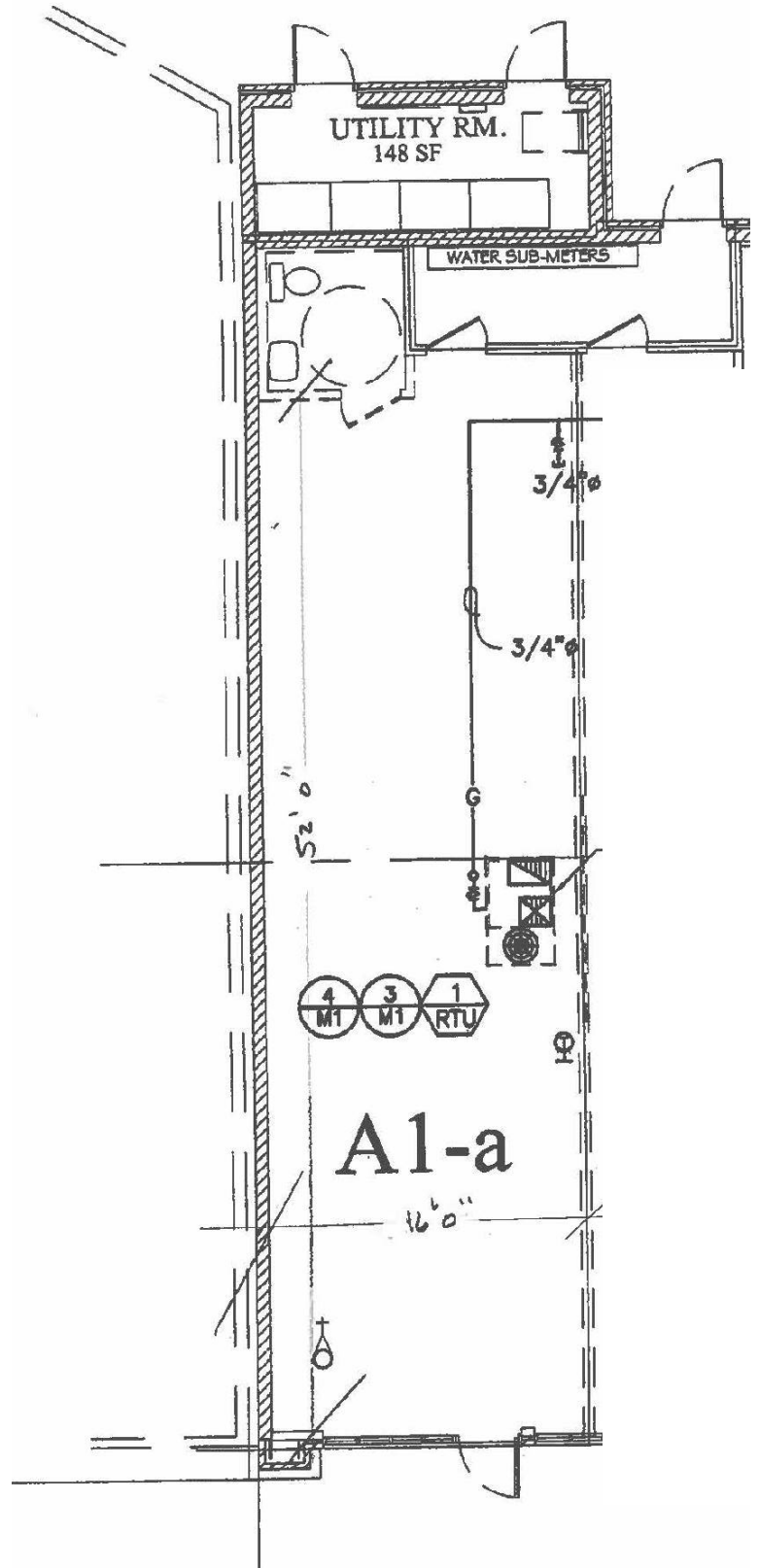


## SPACE PLAN

A1-a  
938 SF



For information, contact:

**Andy Armstrong**

Direct: 415-689-5357

[aarmstrong@crosspointrealty.com](mailto:aarmstrong@crosspointrealty.com)

CA DRE ##01860367

**Carter Hemming**

[chemming@crosspointrealty.com](mailto:chemming@crosspointrealty.com)

CA DRE #01123464

**Kathy DeOchoa**

[kdeochoa@crosspointrealty.com](mailto:kdeochoa@crosspointrealty.com)

CA DRE #01871554

Phone: 415-288-6888

Fax: 415-288-6877

Crosspoint Realty Services, Inc.

20211 Patio Drive, Suite 145

Castro Valley, CA 94546

[www.crosspointrealty.com](http://www.crosspointrealty.com)